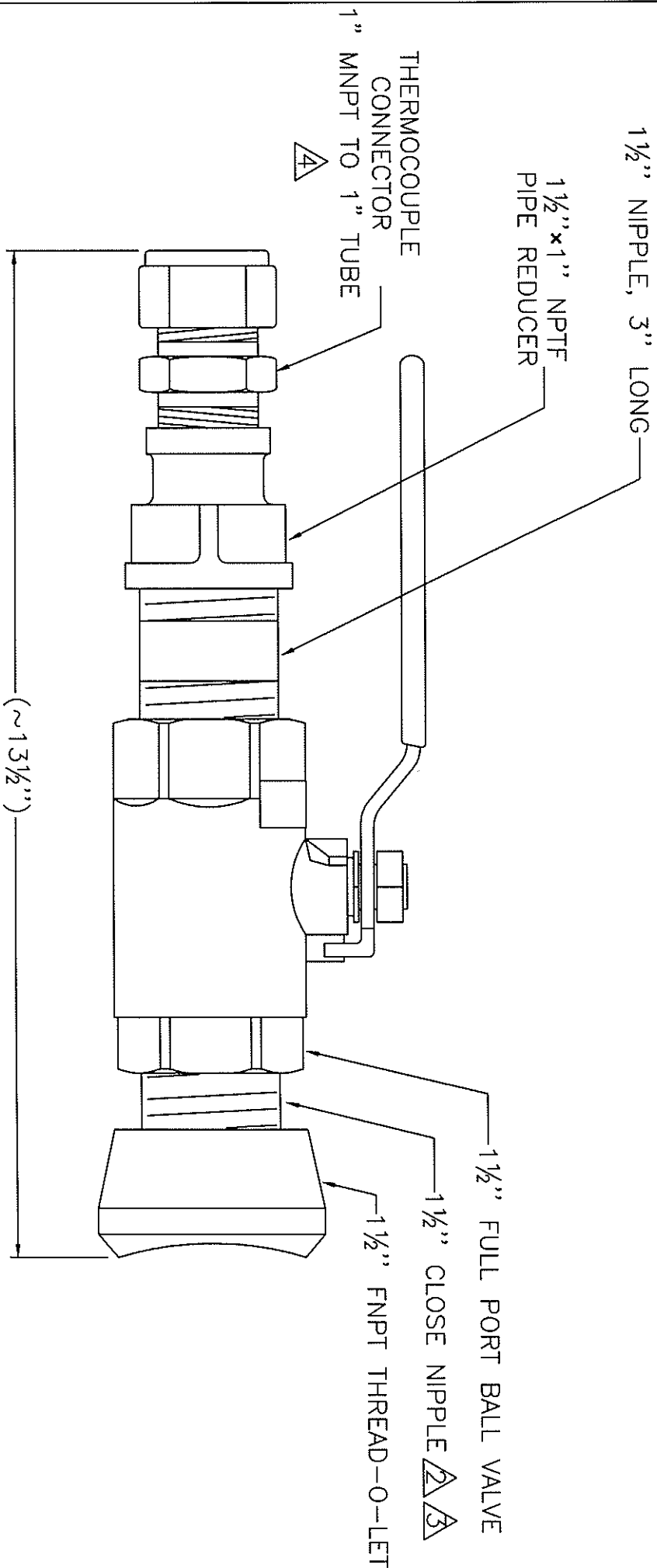


# RELEASE

REVISIONS			
REV	DESCRIPTION	DATE	APVD
-		09/01/98	MH
A	New pipe reducer	03/24/04	MH
B	Clarification of parts description	6/1/05	Qu



**NOTES:**

1 MATERIAL: THREAD-O-LET - CARBON STEEL

ALL OTHER PARTS - STAINLESS STEEL 304 OR 316/316L.

SECURE THREADS WITH APPROPRIATE THREAD SEALER.

DO NOT APPLY THREAD SEALER TO EITHER END OF THE

1 1/2" CLOSE NIPPLE.

DO NOT TIGHTEN 1 1/2" CLOSE NIPPLE INTO THE BALL VALVE OR THE THREAD-O-LET.

USE TEFLON SINGLE FERRULE IN THE 1" THERMOCOUPLE CONNECTOR.

UNLESS OTHERWISE SPECIFIED DIMENSIONS ARE IN INCHES.		DATE	09/01/98
TOLERANCES ON:		DRWN	MD
FRACTIONS = ± N/A		CHKD	PS
DECIMALS X = ±N/A		APVD	<i>Qu</i>
.XX = ±N/A		APVD	<i>WHS</i>
.XXX = ±N/A		PROGRAM:	
ANGLES = ± N/A		SIZE	A
FILE	98035-1	CONTR	
Intek, Inc. 751 Intek Way Westerville, Ohio 43082		RheoVac® HOT TAP ASSEMBLY	
SCALE	N/A	CAGE CODE	59936
SHEET	1 OF 1	DRAWING No.	98035-1
MUL	No.		