

RHEOTHERM® FLOW INSTRUMENTS

STANDARD DIMENSIONS MODEL 210 ENCLOSURES

U.S. Patent Numbers 4,255,968; 4,942,763; 4,949,578

DIM-210TU

TU TRANSDUCERS

O.D. (A)	OVERALL LENGTH (B)	SHELL LENGTH (C)		SHELL DIAMETER (D)		CABLE (F) LENGTH
		PVC	SS	PVC	SS	

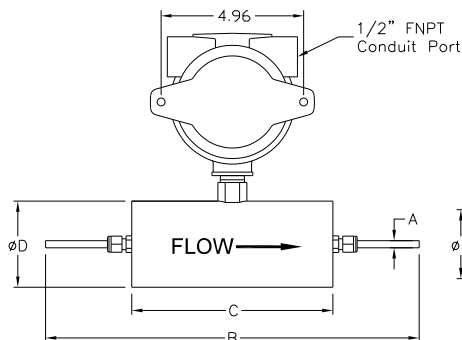
Non Rated, FM Explosion Proof, FM Intrinsically Safe, cFM Explosion Proof

1/16	TU	13 (330)	8 (203)	7 (178)	2.4 (64)	3 (76)	10 ft (3m)
1/16	TUL	9 (229)	5 (127)	5 (127)	3.5 (89)	3.5 (89)	10 ft (3m)
1/8	TU	13 (330)	8 (203)	7 (178)	2.4 (64)	3 (76)	10 ft (3m)
1/8	TUL	9 (229)	5 (127)	5 (127)	3.5 (89)	3.5 (89)	10 ft (3m)
3/16	TU	13 (330)	8 (203)	7 (178)	2.4 (64)	3 (76)	10 ft (3m)
3/16	TUL	10.8 (274)	5.8 (147)	5.8 (147)	4.5 (114)	4.5 (114)	10 ft (3m)
1/4	TU	13 (330)	8 (203)	7 (178)	2.4 (64)	3 (76)	10 ft (3m)
1/4	TUL	10.8 (274)	5.8 (147)	5.8 (147)	4.5 (114)	4.5 (114)	10 ft (3m)

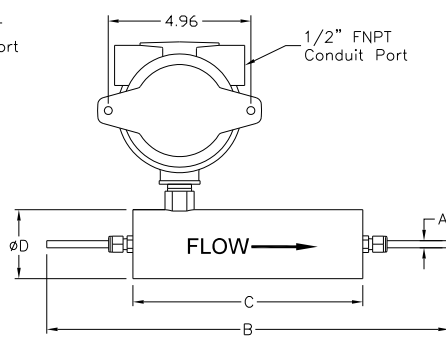
Non Rated, FM Intrinsically Safe

C (.030)	TU	13 (330)	8 (203)	7 (178)	2.4 (64)	3 (76)	10 ft (3m)
3/8	TU	13 (330)	8 (203)	7 (178)	3.5 (89)	3 (76)	10 ft (3m)
3/8	TUL	13 (330)	7 (178)	7 (178)	6.6 (168)	6.6 (168)	10 ft (3m)
1/2	TU	13 (330)	8 (203)	7 (178)	3.5 (89)	3 (76)	10 ft (3m)
1/2	TUL	16 (406)	9 (229)	9 (229)	8.6 (218)	8.6 (218)	10 ft (3m)
5/8	TU	16 (406)	8 (203)	7 (178)	3.5 (89)	3 (76)	10 ft (3m)
3/4	TU	16 (406)	8 (203)	7 (178)	3.5 (89)	3 (76)	10 ft (3m)
1	TU	22 (559)	11 (279)	10 (254)	3.5 (89)	3 (76)	10 ft (3m)
1 1/2	TU	22 (559)	11 (279)	10 (254)	4.5 (114)	-	10 ft (3m)
2	TU	22 (559)	11 (279)	10 (254)	4.5 (114)	-	10 ft (3m)

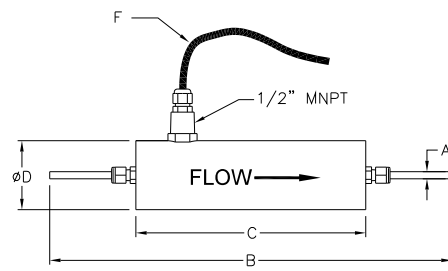
Note: FM Intrinsically Safe sensors above 1/2" approved for gas flows only.



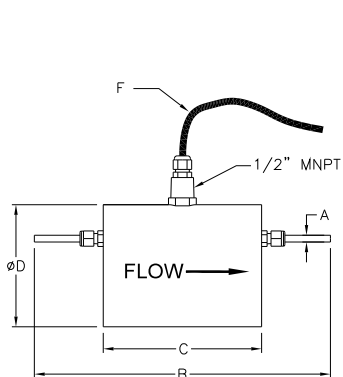
Blind TU with SS Shell
Non Rated or FM Intrinsically Safe



Blind TU with PVC Shell
Non Rated or FM Intrinsically Safe



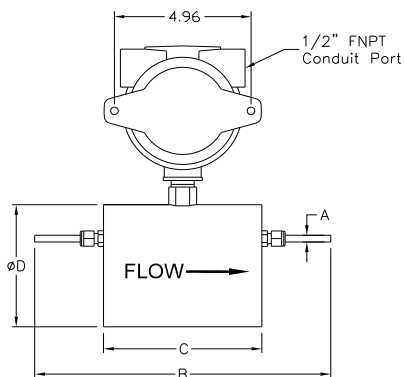
210R TU with PVC Shell
Non Rated or FM Intrinsically Safe
Use if cable length is 10ft long or less



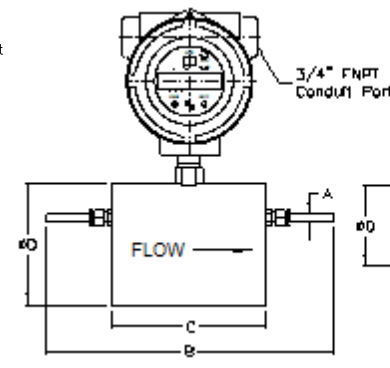
210R TUL, TUS with PVC Shell

Use if cable length is 10ft long or less

Non Rated or FM Intrinsically Safe

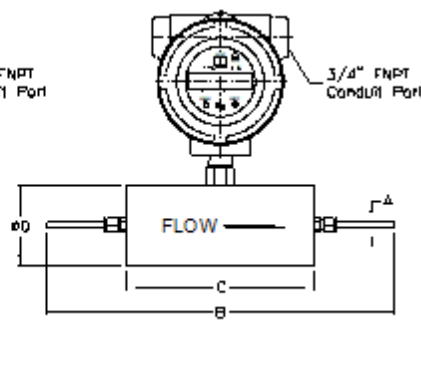


Blind SS Shell TUL, TUS



TUL, TUS with display, SS Shell

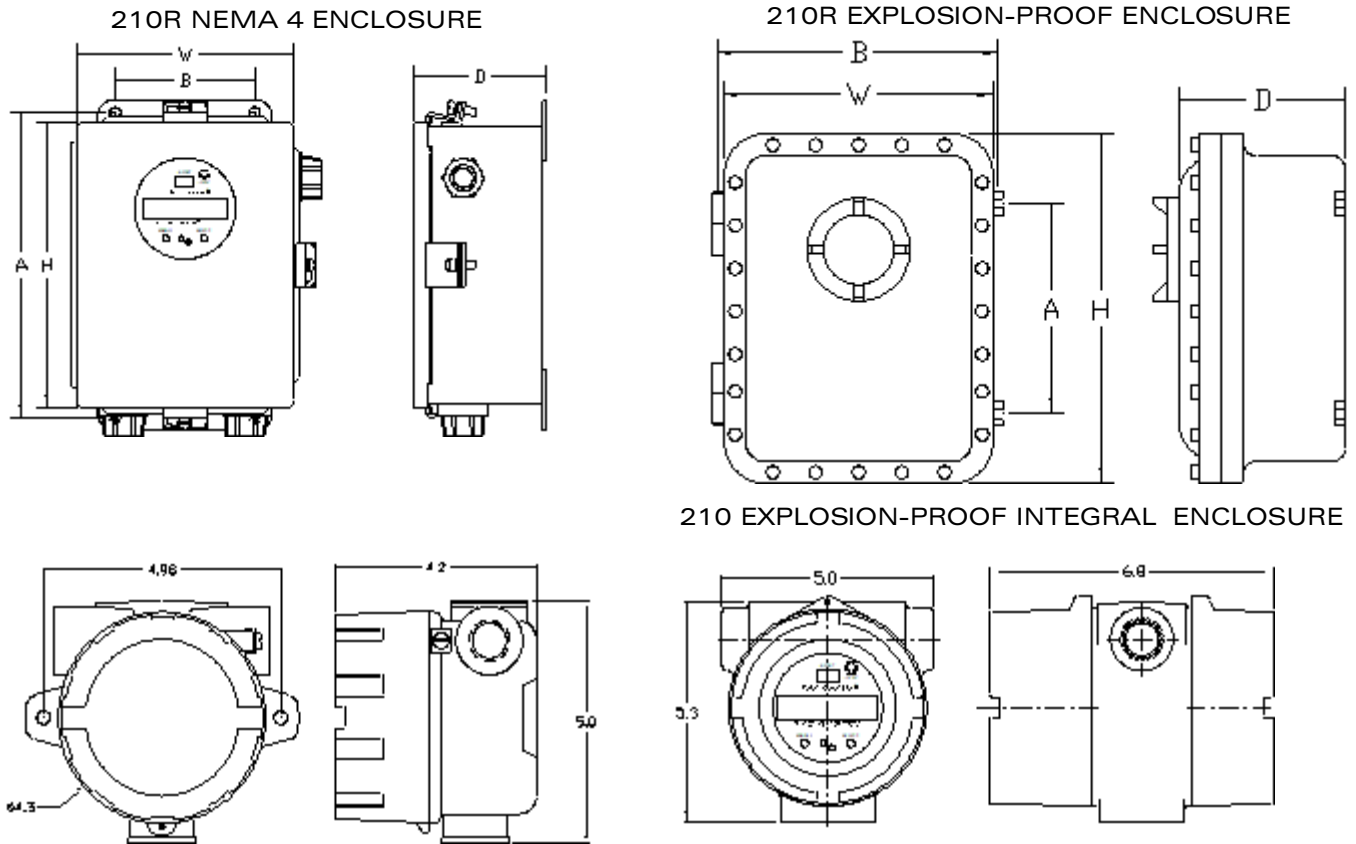
Non Rated or FM/cFM Explosion-Proof or FM Intrinsically Safe



TU with display, SS Shell

	ENCLOSURE DESIGNATION	ENCLOSURE SIZE (H x W x D)	MOUNTING (A x B)
Model 210			
Cast Aluminum			
Non FM, No display	X	see blind integral below	N/A
cFM, FM, or display	X-FM, XDT	see explosion-proof integral below	N/A
Model 210R			
NEMA 4 (window & display are optional)			
Model 210R (standard)	I, IDT	8 x 6 x 3.9 (203 x 152 x 99)	8.8 x 4 (224 x 102)
Model 210R (Opt. outputs)	I, IDT	10 x 8 x 4.4 (254 x 203 x 111)	10.8 x 6 (273 x 152)
Model 210R (ISB)	I, IDT	12 x 10 x 5.4 (305 x 254 x 137)	12.8 x 8 (324 x 203)
Explosion-proof			
ISB (Intrinsically safe sensor)	X, XDT	13.8 x 13.8 x 9.1 (349 x 349 x 232)	6.5 x 13 (165 x 330)
ISB (+ Opt. outputs)	X, XDT	17 x 13 x 8.2 (432 x 330 x 208)	10.6 x 13 (270 x 330)

Dimensions in inches (millimeters). All dimensions subject to change without notice.



Contact factory for additional enclosures including Panel Mount and Laboratory